

PARTS LIST

[KV-C10]

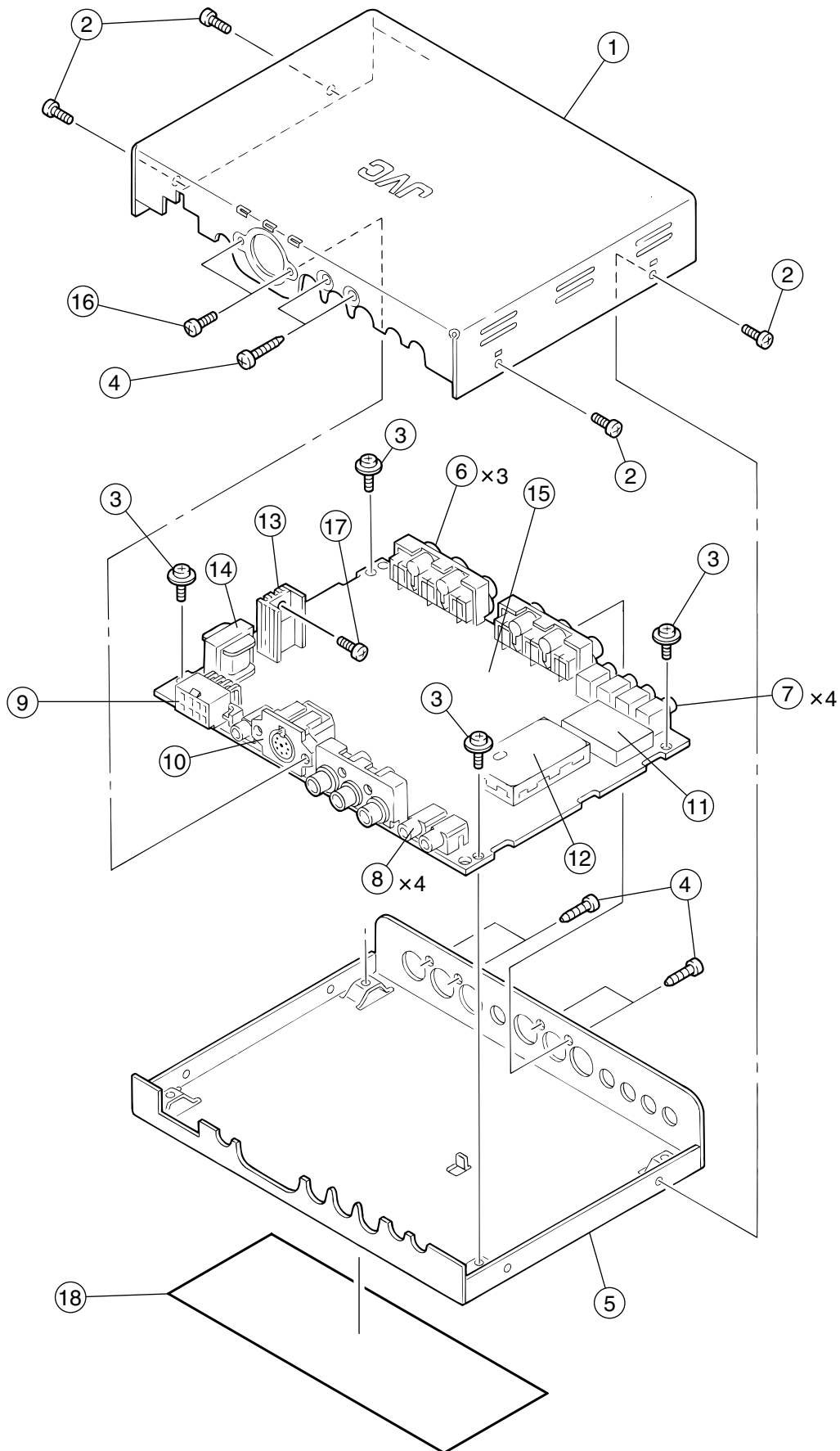
* All printed circuit boards and its assemblies are not available as service parts.

Area suffix
E ----- Continental Europe

- Contents -

Exploded view of general assembly and parts list (Block No.M1) 3-2
 Electrical parts list (Block No.01) 3-4
 Packing materials and accessories parts list (Block No.M3,M5) 3-8

Exploded view of general assembly and parts list

Block No. M 1 M M

■ Parts list (General assembly)

Block No. M1MM

△	Item	Parts number	Parts name	Q'ty	Description	Area
	1	3025369P01-0	TOP COVER	1		
	2	3008003B11	SCREW	4	M3X6(P)	
	3	3008027B09	SCREW	4	M3X6(W,P)	
	4	3008002B33	SCREW	6	M3X10(P)	
	5	3193210P01-0	BOTTOM CHASSIS	1		
	6	-----	RCA JACK	3	SEE M.BOARD PARTS LIST	
	7	-----	MONO JACK	4	SEE M.BOARD PARTS LIST	
	8	-----	ST JACK	4	SEE M.BOARD PARTS LIST	
	9	-----	TERM HOUE	1	SEE M.BOARD PARTS LIST	
	10	-----	CONNECTOR	1	SEE M.BOARD PARTS LIST	
	11	-----	DIV SBX1752-11	1	SEE M.BOARD PARTS LIST	
	12	-----	TV TUNER UNIT	1	SEE M.BOARD PARTS LIST	
	13	3149193P01-0	HEAT SINK	1	CTN-201ND	
	14	-----	CHOKE COIL	1	SEE M.BOARD PARTS LIST	
	15	-----	MAIN PCB	1	SEE M.BOARD PARTS LIST	
	16	3008034B33	SCREW	2	M2.6X6)	
	17	3008002B45	SCREW	1	M3X8(P)	
	18	3067138B01-0	NAME LABEL	1		

■ Electrical parts list (Main board)

Block No. 01

△	Item	Parts number	Parts name	Remarks	Area	△	Item	Parts number	Parts name	Remarks	Area
	C 101	5233066219	C.CAPACITOR	104-Z-F1E-CP			C 507	5233066074	C.CAPACITOR	16-103-K-B1H-CP	
	C 102	5233066062	C.CAPACITOR	102-K-SL1H-CP			C 701	5233038053	C.CAPACITOR	50V 21-X7R-104-	
	C 103	5233066062	C.CAPACITOR	102-K-SL1H-CP			C 702	5233038053	C.CAPACITOR	50V 21-X7R-104-	
	C 104	5233066062	C.CAPACITOR	102-K-SL1H-CP			C 703	5233038053	C.CAPACITOR	50V 21-X7R-104-	
	C 105	5233066006	C.CAPACITOR	4R0-C-SL1H-CP			C 704	5233038053	C.CAPACITOR	50V 21-X7R-104-	
	C 106	5233066074	C.CAPACITOR	16-103-K-B1H-CP			CF101	5521154003	CER FILTER	CFSC107M3-A0-20	
	C 107	5233066074	C.CAPACITOR	16-103-K-B1H-CP			CF102	5521154002	CER FILTER	TPS5.5MB	
	C 108	5233066074	C.CAPACITOR	16-103-K-B1H-CP			CN501	5602002904	TERM HOUE	5569-8A1	
	C 109	5233066058	C.CAPACITOR	471-K-SL1H-CP			D 101	5304026701	DIODE	202K-T-146-CP	
	C 110	5233066074	C.CAPACITOR	16-103-K-B1H-CP			D 102	5304026701	DIODE	202K-T-146-CP	
	C 111	5233066074	C.CAPACITOR	16-103-K-B1H-CP			D 103	5304026701	DIODE	202K-T-146-CP	
	C 112	5233066062	C.CAPACITOR	102-K-SL1H-CP			D 104	5304089301	DIODE	RB160L	
	C 113	5233066062	C.CAPACITOR	102-K-SL1H-CP			D 151	5304122501	DIODE	1SV237	
	C 114	5233066074	C.CAPACITOR	16-103-K-B1H-CP			D 152	5304122501	DIODE	1SV237	
	C 115	5233066074	C.CAPACITOR	16-103-K-B1H-CP			D 201	5304026801	DIODE	204K-J-146-CP	
	C 116	5233066074	C.CAPACITOR	16-103-K-B1H-CP			D 401	5304026801	DIODE	204K-J-146-CP	
	C 117	5233066074	C.CAPACITOR	16-103-K-B1H-CP			D 501	5304026701	DIODE	202K-T-146-CP	
	C 121	5233066074	C.CAPACITOR	16-103-K-B1H-CP			D 502	5304026701	DIODE	202K-T-146-CP	
	C 122	5233066074	C.CAPACITOR	16-103-K-B1H-CP			D 503	5304026701	DIODE	202K-T-146-CP	
	C 123	5233066074	C.CAPACITOR	16-103-K-B1H-CP			D 504	5301015803	DIODE	4003-AX	
	C 124	5233066010	C.CAPACITOR	8R0-D-SL1H-CP			D 505	5301015803	DIODE	4003-AX	
	C 125	5233066219	C.CAPACITOR	104-Z-F1E-CP			E 101	5204026111	E.CAPACITOR	5X11 T2.5 100/1	
	C 126	5233066012	C.CAPACITOR	10R-D-SL1H-CP			E 102	5204026111	E.CAPACITOR	5X11 T2.5 100/1	
	C 127	5233066074	C.CAPACITOR	16-103-K-B1H-CP			E 103	5204026111	E.CAPACITOR	5X11 T2.5 100/1	
	C 128	5233066062	C.CAPACITOR	102-K-SL1H-CP			E 104	5204026133	E.CAPACITOR	5X11 T2.5 1/50	
	C 129	5233066098	C.CAPACITOR	153-K-B1H-CP			E 106	5204026133	E.CAPACITOR	5X11 T2.5 1/50	
	C 130	5233066098	C.CAPACITOR	153-K-B1H-CP			E 107	5204026133	E.CAPACITOR	5X11 T2.5 1/50	
	C 131	5233066074	C.CAPACITOR	16-103-K-B1H-CP			E 108	5204026111	E.CAPACITOR	5X11 T2.5 100/1	
	C 151	5233066062	C.CAPACITOR	102-K-SL1H-CP			E 109	5204026111	E.CAPACITOR	5X11 T2.5 100/1	
	C 152	5233066062	C.CAPACITOR	102-K-SL1H-CP			E 110	5204026111	E.CAPACITOR	5X11 T2.5 100/1	
	C 153	5233066062	C.CAPACITOR	102-K-SL1H-CP			E 113	5204026113	E.CAPACITOR	5X11 T2.5 10/16	
	C 154	5233066062	C.CAPACITOR	102-K-SL1H-CP			E 114	5204026129	E.CAPACITOR	5X11 T2.5 0.1/5	
	C 155	5233066062	C.CAPACITOR	102-K-SL1H-CP			E 115	5204026113	E.CAPACITOR	5X11 T2.5 10/16	
	C 156	5233066062	C.CAPACITOR	102-K-SL1H-CP			E 116	5204026132	E.CAPACITOR	5X11 T2.5 0.47/	
	C 157	5233066062	C.CAPACITOR	102-K-SL1H-CP			E 201	5213054107	E.CAPACITOR	(5X11) T2.5 220	
	C 201	5233066036	C.CAPACITOR	101-J-SL1H-CP			E 202	5204026133	E.CAPACITOR	5X11 T2.5 1/50	
	C 202	5233066036	C.CAPACITOR	101-J-SL1H-CP			E 203	5204026113	E.CAPACITOR	5X11 T2.5 10/16	
	C 203	5233066036	C.CAPACITOR	101-J-SL1H-CP			E 204	5204026113	E.CAPACITOR	5X11 T2.5 10/16	
	C 204	5233066044	C.CAPACITOR	221-J-SL1H-CP			E 205	5204026133	E.CAPACITOR	5X11 T2.5 1/50	
	C 205	5233066063	C.CAPACITOR	122-K-B1H-CP			E 206	5204026133	E.CAPACITOR	5X11 T2.5 1/50	
	C 206	5233066071	C.CAPACITOR	562-K-B1H-CP			E 207	5204026113	E.CAPACITOR	5X11 T2.5 10/16	
	C 207	5233066066	C.CAPACITOR	222-K-B1H-CP			E 301	5213054107	E.CAPACITOR	(5X11) T2.5 220	
	C 208	5233066071	C.CAPACITOR	562-K-B1H-CP			E 302	5213054107	E.CAPACITOR	(5X11) T2.5 220	
	C 209	5233066044	C.CAPACITOR	221-J-SL1H-CP			E 303	5204026113	E.CAPACITOR	5X11 T2.5 10/16	
	C 210	5233066220	C.CAPACITOR	124-Z-F1C-CP			E 304	5204026113	E.CAPACITOR	5X11 T2.5 10/16	
	C 211	5233066050	C.CAPACITOR	391-J-SL1H-CP			E 305	5204026113	E.CAPACITOR	5X11 T2.5 10/16	
	C 303	5233066064	C.CAPACITOR	152-K-B1H-CP			E 306	5204026113	E.CAPACITOR	5X11 T2.5 10/16	
	C 304	5233066064	C.CAPACITOR	152-K-B1H-CP			E 307	5204026113	E.CAPACITOR	5X11 T2.5 10/16	
	C 401	5233066022	C.CAPACITOR	27R-J-SL1H-CP			E 308	5204026113	E.CAPACITOR	5X11 T2.5 10/16	
	C 402	5233066022	C.CAPACITOR	27R-J-SL1H-CP			E 309	5204026111	E.CAPACITOR	5X11 T2.5 100/1	
	C 403	5233066102	C.CAPACITOR	223-K-B1H-CP			E 310	5204026111	E.CAPACITOR	5X11 T2.5 100/1	
	C 404	5233066219	C.CAPACITOR	104-Z-F1E-CP			E 311	5204026129	E.CAPACITOR	5X11 T2.5 0.1/5	
	C 405	5233066219	C.CAPACITOR	104-Z-F1E-CP			E 313	5204026113	E.CAPACITOR	5X11 T2.5 10/16	
	C 406	5233066032	C.CAPACITOR	68R-J-SL1H-CP			E 314	5204026113	E.CAPACITOR	5X11 T2.5 10/16	
	C 407	5233066034	C.CAPACITOR	82R-J-SL1H-CP			E 315	5204026113	E.CAPACITOR	5X11 T2.5 10/16	
	C 408	5233066036	C.CAPACITOR	101-J-SL1H-CP			E 316	5204026113	E.CAPACITOR	5X11 T2.5 10/16	
	C 409	5233066063	C.CAPACITOR	122-K-B1H-CP			E 317	5204026113	E.CAPACITOR	5X11 T2.5 10/16	
	C 501	5233066024	C.CAPACITOR	33R-J-SL1H-CP			E 318	5204026113	E.CAPACITOR	5X11 T2.5 10/16	
	C 502	5233066024	C.CAPACITOR	33R-J-SL1H-CP			E 401	5213054107	E.CAPACITOR	(5X11) T2.5 220	
	C 503	5233066074	C.CAPACITOR	16-103-K-B1H-CP			E 402	5204026113	E.CAPACITOR	5X11 T2.5 10/16	
	C 504	5233066074	C.CAPACITOR	16-103-K-B1H-CP			E 403	5209046064	E.CAPACITOR	3X5 1/50	
	C 505	5226060036	CAP.TF.MMTS	223-J-RD			E 404	5204026136	E.CAPACITOR	5X11 T2.5 4.7/5	
	C 506	5226060036	CAP.TF.MMTS	223-J-RD			E 405	5204026131	E.CAPACITOR	5X11 T2.5 0.33/	

■ Electrical parts list (Main board)

Block No. 01

△	Item	Parts number	Parts name	Remarks	Area	△	Item	Parts number	Parts name	Remarks	Area
	E 406	5213054107	E.CAPACITOR	(5X11) T2.5 220			Q 106	5326025801	TRANSISTOR	114TK-T146-CP	
	E 407	5213054107	E.CAPACITOR	(5X11) T2.5 220			Q 107	5326025801	TRANSISTOR	DTC 114TK-T146-	
	E 501	5204026114	E.CAPACITOR	5X11 T2.5 22/16			Q 108	5326027201	TRANSISTOR	FMC2-T-149-CP	
	E 502	5204026113	E.CAPACITOR	5X11 T2.5 10/16			Q 109	5326018502	TRANSISTOR	2SC 2412KR-T146	
	E 503	5204026111	E.CAPACITOR	5X11 T2.5 100/1			Q 110	5326018502	TRANSISTOR	2SC 2412KR-T146	
	E 504	5204026111	E.CAPACITOR	5X11 T2.5 100/1			Q 151	5326025803	TRANSISTOR	124EK-T146-CP	
	E 505	5204026113	E.CAPACITOR	5X11 T2.5 10/16			Q 152	5326025803	TRANSISTOR	124EK-T146-CP	
	E 506	5204026113	E.CAPACITOR	5X11 T2.5 10/16			Q 301	5326025801	TRANSISTOR	DTC 114TK-T146-	
	E 507	5213054109	E.CAPACITOR	(6.3X11) T2.5 4			Q 302	5326025801	TRANSISTOR	DTC 114TK-T146-	
	E 508	5213054111	E.CAPACITOR	(6.3X11) T2.5 2			Q 305	5326019601	TRANSISTOR	343TK-T146-CP	
	E 509	5212056031	E.CAPACITOR	(105C)10X16 100			Q 306	5326019601	TRANSISTOR	343TK-T146-CP	
	E 510	5204026111	E.CAPACITOR	5X11 T2.5 100/1			Q 307	5326027201	TRANSISTOR	FMC2-T-149-CP	
	E 511	5204026129	E.CAPACITOR	5X11 T2.5 0.1/5			Q 401	5325014202	TRANSISTOR	KTA1504Y-CP	
	E 701	5204026113	E.CAPACITOR	5X11 T2.5 10/16			Q 402	5325014202	TRANSISTOR	KTA1504Y-CP	
	E 702	5204026113	E.CAPACITOR	5X11 T2.5 10/16			Q 501	5322018803	TRANSISTOR	1243Q-TV4-RD	
	E 703	5204026133	E.CAPACITOR	5X11 T2.5 1/50			Q 502	5322018803	TRANSISTOR	1243Q-TV4-RD	
	E 704	5204026133	E.CAPACITOR	5X11 T2.5 1/50			Q 503	5326025813	TRANSISTOR	DTC 143XK-T-146	
	E 705	5213054107	E.CAPACITOR	(5X11) T2.5 220			Q 504	5326025813	TRANSISTOR	DTC 143XK-T-146	
	E 706	5213054107	E.CAPACITOR	(5X11) T2.5 220			Q 505	5324026602	TRANSISTOR		
	E 707	5213054107	E.CAPACITOR	(5X11) T2.5 220			Q 506	5324026602	TRANSISTOR		
	E 708	5213054107	E.CAPACITOR	(5X11) T2.5 220			Q 507	5326025803	TRANSISTOR	DTC 124EK-T146-	
	E 709	5204026111	E.CAPACITOR	5X11 T2.5 100/1			Q 508	5326025803	TRANSISTOR	DTC 124EK-T146-	
	IC101	5311104402	IC	TV IF TA1209F			Q 509	5326025803	TRANSISTOR	DTC 124EK-T146-	
	IC102	5311110201	IC	BA6161N			Q 510	5326027201	TRANSISTOR	FMC2-T-149-CP	
	IC201	5312087902	IC	AN5290S-EI			Q 701	5326019601	TRANSISTOR	343TK-T146-CP	
	IC301	5311087301	IC	NJM2246M			Q 702	5326019601	TRANSISTOR	343TK-T146-CP	
	IC302	5312087501	IC	NJU4052B			Q 703	5326019601	TRANSISTOR	343TK-T146-CP	
	IC303	5311029301	IC	NJM 4558M-TE3			Q 704	5326019601	TRANSISTOR	343TK-T146-CP	
	IC401	5312087801	IC	KS5514B-09			R 101	5082048049	CARBON RESISTOR	CHIP 102-J-1/16	
	IC501	5316084902	IC	16C72A-04I/SP			R 102	5082048049	CARBON RESISTOR	CHIP 102-J-1/16	
	IC502	5312087601	IC	AT24C04AN-10SC			R 103	5082048049	CARBON RESISTOR	CHIP 102-J-1/16	
	IC503	5315082801	IC	KIA7805P			R 104	5082048049	CARBON RESISTOR	CHIP 102-J-1/16	
	IC504	5315081001	IC	KIA78L05F			R 105	5082048053	CARBON RESISTOR	CHIP 152-J-1/16	
	IC701	5311089601	IC	TDM 7052BT-SMD			R 106	5082048081	CARBON RESISTOR	CHIP 223-J-1/16	
	IC702	5311089601	IC	TDM 7052BT-SMD			R 107	5082048065	CARBON RESISTOR	CHIP 472-J-1/16	
	JK101	5610027501	MONO JACK	(DKE13001)			R 108	5082048037	CARBON RESISTOR	CHIP 331-J-1/16	
	JK102	5610027501	MONO JACK	(DKE13001)			R 109	5082048075	CARBON RESISTOR	CHIP 123-J-1/16	
	JK103	5610027501	MONO JACK	(DKE13001)			R 110	5082048089	CARBON RESISTOR	CHIP 473-J-1/16	
	JK104	5610027501	MONO JACK	(DKE13001)			R 111	5082048085	CARBON RESISTOR	CHIP 333-J-1/16	
	JK301	5610027301	RCA JACK	S-456A-01			R 112	5082048097	CARBON RESISTOR	CHIP 104-J-1/16	
	JK302	5610027301	RCA JACK	S-456A-01			R 115	5082048018	CARBON RESISTOR	CHIP 51R-J-1/16	
	JK303	5610027401	ST JACK	(DKE16002)			R 118	5082048073	CARBON RESISTOR	CHIP 103-J-1/16	
	JK304	5610027301	RCA JACK	S-456A-01			R 119	5062013037	CARBON RESISTOR	33R-J-1/8-CP	
	JK501	5610027401	ST JACK	(DKE16002)			R 120	5062013073	CARBON RESISTOR	102-J-1/8-CP	
	JK502	5610005802	CONNECTOR	8P			R 121	5081044077	CARBON RESISTOR	152-J-1/4-CP	
	JK701	5610027401	ST JACK	(DKE16002)			R 122	5082048049	CARBON RESISTOR	CHIP 102-J-1/16	
	JK702	5610027401	ST JACK	(DKE16002)			R 123	5082048081	CARBON RESISTOR	CHIP 223-J-1/16	
	L 101	5531194003	COIL IFT	3B2C-00011C			R 124	5062013025	CARBON RESISTOR	10R-J-1/8-CP	
	L 103	5531177006	COIL IFT	600DCA-K5648FXL			R 125	5062013025	CARBON RESISTOR	10R-J-1/8-CP	
	L 104	5531194005	COIL IFT	3B2C-00010C			R 126	5082048057	CARBON RESISTOR	CHIP 222-J-1/16	
	L 105	5531125001	IFT	269LN-K5010Z-KR			R 127	5082048055	CARBON RESISTOR	CHIP 182-J-1/16	
	L 106	5532031016	COIL				R 128	5082048059	CARBON RESISTOR	CHIP 272-J-1/16	
	L 107	5532031016	COIL				R 129	5082048059	CARBON RESISTOR	CHIP 272-J-1/16	
	L 108	5532031028	COIL				R 130	5082048072	CARBON RESISTOR	CHIP 912-J-1/16	
	L 151	5532031027	COIL				R 131	5082048085	CARBON RESISTOR	CHIP 333-J-1/16	
	L 401	5532021132	COIL	100-K-RD			R 132	5082048055	CARBON RESISTOR	CHIP 182-J-1/16	
	L 501	5511143001	CHOKE TRANS	19M/M			R 133	5082048085	CARBON RESISTOR	CHIP 333-J-1/16	
	PA101	5956227701	DIV SBX1752-11	SBX1752-11			R 134	5062013025	CARBON RESISTOR	10R-J-1/8-CP	
	Q 101	5326025801	TRANSISTOR	DTC 114TK-T146-			R 135	5082048049	CARBON RESISTOR	CHIP 102-J-1/16	
	Q 102	5326025801	TRANSISTOR	DTC 114TK-T146-			R 136	5082048049	CARBON RESISTOR	CHIP 102-J-1/16	
	Q 103	5326025801	TRANSISTOR	DTC 114TK-T146-			R 137	5082048073	CARBON RESISTOR	CHIP 103-J-1/16	
	Q 104	5326025801	TRANSISTOR	DTC 114TK-T146-			R 138	5082048073	CARBON RESISTOR	CHIP 103-J-1/16	
	Q 105	5326027201	TRANSISTOR	FMC2-T-149-CP			R 139	5082048073	CARBON RESISTOR	CHIP 103-J-1/16	

■ Electrical parts list (Main board)

Block No. 01

△	Item	Parts number	Parts name	Remarks	Area	△	Item	Parts number	Parts name	Remarks	Area
	R 140	5082048059	CARBON RESISTOR	CHIP 272-J-1/16			R 330	5081044039	CARBON RESISTOR	39R-J-1/4-CP	
	R 141	5082048109	CARBON RESISTOR	CHIP 334-J-1/16			R 331	5081044039	CARBON RESISTOR	39R-J-1/4-CP	
	R 142	5082048069	CARBON RESISTOR	CHIP 682-J-1/16			R 401	5082048025	CARBON RESISTOR	CHIP 101-J-1/16	
	R 143	5082048023	CARBON RESISTOR	CHIP 82R-J-1/16			R 402	5082048073	CARBON RESISTOR	CHIP 103-J-1/16	
	R 151	5082048049	CARBON RESISTOR	CHIP 102-J-1/16			R 403	5082048047	CARBON RESISTOR	CHIP 821-J-1/16	
	R 152	5082048049	CARBON RESISTOR	CHIP 102-J-1/16			R 404	5082048075	CARBON RESISTOR	CHIP 123-J-1/16	
	R 153	5082048065	CARBON RESISTOR	CHIP 472-J-1/16			R 405	5082048097	CARBON RESISTOR	CHIP 104-J-1/16	
	R 154	5082048065	CARBON RESISTOR	CHIP 472-J-1/16			R 406	5082048105	CARBON RESISTOR	CHIP 224-J-1/16	
	R 155	5082048027	CARBON RESISTOR	CHIP 121-J-1/16			R 407	5082048057	CARBON RESISTOR	CHIP 222-J-1/16	
	R 156	5082048027	CARBON RESISTOR	CHIP 121-J-1/16			R 408	5082048017	CARBON RESISTOR	CHIP 47R-J-1/16	
	R 157	5082048031	CARBON RESISTOR	CHIP 181-J-1/16			R 409	5082048017	CARBON RESISTOR	CHIP 47R-J-1/16	
	R 158	5082048049	CARBON RESISTOR	CHIP 102-J-1/16			R 410	5082048073	CARBON RESISTOR	CHIP 103-J-1/16	
	R 159	5082048049	CARBON RESISTOR	CHIP 102-J-1/16			R 411	5082048073	CARBON RESISTOR	CHIP 103-J-1/16	
	R 160	5082048073	CARBON RESISTOR	CHIP 103-J-1/16			R 412	5082048035	CARBON RESISTOR	CHIP 271-J-1/16	
	R 169	5082048109	CARBON RESISTOR	CHIP 334-J-1/16			R 413	5082048035	CARBON RESISTOR	CHIP 271-J-1/16	
	R 170	5082048059	CARBON RESISTOR	CHIP 272-J-1/16			R 414	5081044034	CARBON RESISTOR	24R-J-1/4-CP	
	R 171	5082048069	CARBON RESISTOR	CHIP 682-J-1/16			R 415	5081044034	CARBON RESISTOR	24R-J-1/4-CP	
	R 172	5082048049	CARBON RESISTOR	CHIP 102-J-1/16			R 416	5081044039	CARBON RESISTOR	39R-J-1/4-CP	
	R 173	5082048085	CARBON RESISTOR	CHIP 333-J-1/16			R 417	5081044039	CARBON RESISTOR	39R-J-1/4-CP	
	R 174	5082048073	CARBON RESISTOR	CHIP 103-J-1/16			R 501	5082048073	CARBON RESISTOR	CHIP 103-J-1/16	
	R 176	5082048073	CARBON RESISTOR	CHIP 103-J-1/16			R 502	5082048083	CARBON RESISTOR	CHIP 273-J-1/16	
	R 177	5082048091	CARBON RESISTOR	563-J-1/16-CP			R 503	5082048081	CARBON RESISTOR	CHIP 223-J-1/16	
	R 203	5082048049	CARBON RESISTOR	CHIP 102-J-1/16			R 504	5082048073	CARBON RESISTOR	CHIP 103-J-1/16	
	R 204	5082048049	CARBON RESISTOR	CHIP 102-J-1/16			R 505	5082048089	CARBON RESISTOR	CHIP 473-J-1/16	
	R 205	5082048049	CARBON RESISTOR	CHIP 102-J-1/16			R 506	5081044077	CARBON RESISTOR	152-J-1/4-CP	
	R 206	5082048049	CARBON RESISTOR	CHIP 102-J-1/16			R 507	5082048073	CARBON RESISTOR	CHIP 103-J-1/16	
	R 207	5082048049	CARBON RESISTOR	CHIP 102-J-1/16			R 509	5082048083	CARBON RESISTOR	CHIP 273-J-1/16	
	R 208	5082048097	CARBON RESISTOR	CHIP 104-J-1/16			R 510	5082048059	CARBON RESISTOR	CHIP 272-J-1/16	
	R 209	5082048033	CARBON RESISTOR	CHIP 221-J-1/16			R 511	5062013089	CARBON RESISTOR	472-J-1/8-CP	
	R 211	5082048065	CARBON RESISTOR	CHIP 472-J-1/16			R 512	5082048073	CARBON RESISTOR	CHIP 103-J-1/16	
	R 212	5082048090	CARBON RESISTOR	CHIP 513-J-1/16			R 513	5082048073	CARBON RESISTOR	CHIP 103-J-1/16	
	R 213	5082048073	CARBON RESISTOR	CHIP 103-J-1/16			R 514	5081044073	CARBON RESISTOR	102-J-1/4-CP	
	R 214	5082048073	CARBON RESISTOR	CHIP 103-J-1/16			R 515	5081044077	CARBON RESISTOR	152-J-1/4-CP	
	R 215	5082048073	CARBON RESISTOR	CHIP 103-J-1/16			R 516	5081044077	CARBON RESISTOR	152-J-1/4-CP	
	R 216	5082048073	CARBON RESISTOR	CHIP 103-J-1/16			R 517	5081044077	CARBON RESISTOR	152-J-1/4-CP	
	R 217	5082048063	CARBON RESISTOR	CHIP 392-J-1/16			R 518	5081044077	CARBON RESISTOR	152-J-1/4-CP	
	R 218	5082048092	CARBON RESISTOR	CHIP 623-J-1/16			R 519	5081044065	CARBON RESISTOR	471-J-1/4-CP	
	R 301	5082048073	CARBON RESISTOR	CHIP 103-J-1/16			R 520	5081044065	CARBON RESISTOR	471-J-1/4-CP	
	R 302	5082048073	CARBON RESISTOR	CHIP 103-J-1/16			R 521	5023015025	RESISTOR	MINI 10-J-2W-S	
	R 303	5082048071	CARBON RESISTOR	CHIP 822-J-1/16			R 522	5082048089	CARBON RESISTOR	CHIP 473-J-1/16	
	R 304	5082048071	CARBON RESISTOR	CHIP 822-J-1/16			R 523	5082048089	CARBON RESISTOR	CHIP 473-J-1/16	
	R 305	5082048073	CARBON RESISTOR	CHIP 103-J-1/16			R 524	5082048089	CARBON RESISTOR	CHIP 473-J-1/16	
	R 306	5082048073	CARBON RESISTOR	CHIP 103-J-1/16			R 525	5062013089	CARBON RESISTOR	472-J-1/8-CP	
	R 307	5082048071	CARBON RESISTOR	CHIP 822-J-1/16			R 526	5062013089	CARBON RESISTOR	472-J-1/8-CP	
	R 308	5082048071	CARBON RESISTOR	CHIP 822-J-1/16			R 527	5082048097	CARBON RESISTOR	CHIP 104-J-1/16	
	R 309	5081044038	CARBON RESISTOR	CHIP 1/4W-J-36			R 528	5082048073	CARBON RESISTOR	CHIP 103-J-1/16	
	R 310	5081044038	CARBON RESISTOR	CHIP 1/4W-J-36			R 701	5082048087	CARBON RESISTOR	CHIP 393-J-1/16	
	R 311	5082048073	CARBON RESISTOR	CHIP 103-J-1/16			R 702	5082048087	CARBON RESISTOR	CHIP 393-J-1/16	
	R 312	5082048073	CARBON RESISTOR	CHIP 103-J-1/16			R 703	5082048063	CARBON RESISTOR	CHIP 392-J-1/16	
	R 316	5082048049	CARBON RESISTOR	CHIP 102-J-1/16			R 704	5082048063	CARBON RESISTOR	CHIP 392-J-1/16	
	R 317	5082048049	CARBON RESISTOR	CHIP 102-J-1/16			R 705	5082048049	CARBON RESISTOR	CHIP 102-J-1/16	
	R 318	5082048089	CARBON RESISTOR	CHIP 473-J-1/16			R 706	5082048049	CARBON RESISTOR	CHIP 102-J-1/16	
	R 319	5082048089	CARBON RESISTOR	CHIP 473-J-1/16			R 707	5081044034	CARBON RESISTOR	24R-J-1/4-CP	
	R 320	5082048089	CARBON RESISTOR	CHIP 473-J-1/16			R 708	5081044034	CARBON RESISTOR	24R-J-1/4-CP	
	R 321	5082048089	CARBON RESISTOR	CHIP 473-J-1/16			R 709	5081044034	CARBON RESISTOR	24R-J-1/4-CP	
	R 322	5082048095	CARBON RESISTOR	CHIP 823-J-1/16			R 710	5081044034	CARBON RESISTOR	24R-J-1/4-CP	
	R 323	5082048095	CARBON RESISTOR	CHIP 823-J-1/16			R 711	5081044009	CARBON RESISTOR	2R2-J-1/4-CP	
	R 324	5082048073	CARBON RESISTOR	CHIP 103-J-1/16			R 712	5081044009	CARBON RESISTOR	2R2-J-1/4-CP	
	R 325	5082048073	CARBON RESISTOR	CHIP 103-J-1/16			R 713	5081044009	CARBON RESISTOR	2R2-J-1/4-CP	
	R 326	5082048049	CARBON RESISTOR	CHIP 102-J-1/16			R 714	5081044009	CARBON RESISTOR	2R2-J-1/4-CP	
	R 327	5082048049	CARBON RESISTOR	CHIP 102-J-1/16			R 715	5081044039	CARBON RESISTOR	39R-J-1/4-CP	
	R 328	5082048085	CARBON RESISTOR	CHIP 333-J-1/16			R 716	5081044039	CARBON RESISTOR	39R-J-1/4-CP	
	R 329	5082048085	CARBON RESISTOR	CHIP 333-J-1/16			R 717	5081044039	CARBON RESISTOR	39R-J-1/4-CP	

■ Electrical parts list (Main board)

Block No. 01

△	Item	Parts number	Parts name	Remarks	Area
	R 718	5081044039	CARBON RESISTOR	39R-J-1/4-CP	
	SF101	5551168005	SAW FIL	SAF33.4MC200Z	
	SF102	5551168004	SAW FIL	SAF38.9MVB200Z	
	TU101	6136001265	TV TUNER UNIT	TEAZ7	
	VR101	5124003814	SENI V.RESISTOR	3KJ-B15K-CP	
	VR201	5124003815	SENI V.RESISTOR	3KJ-B22K-CP	
	VR202	5124003815	SENI V.RESISTOR	3KJ-B22K-CP	
	X 101	5346122602	CRYSTAL	M49 22.70MHZ	
	X 401	5346089404	CRYSTAL	M49 17.734475MH	
	X 501	5346089401	CRYSTAL	M49 4.00MHZ	
	ZD501	5302090034	ZENER DIODE	Z02W9.1V-Y	
	ZD502	5302090034	ZENER DIODE	Z02W9.1V-Y	
	ZD503	5302090034	ZENER DIODE	Z02W9.1V-Y	

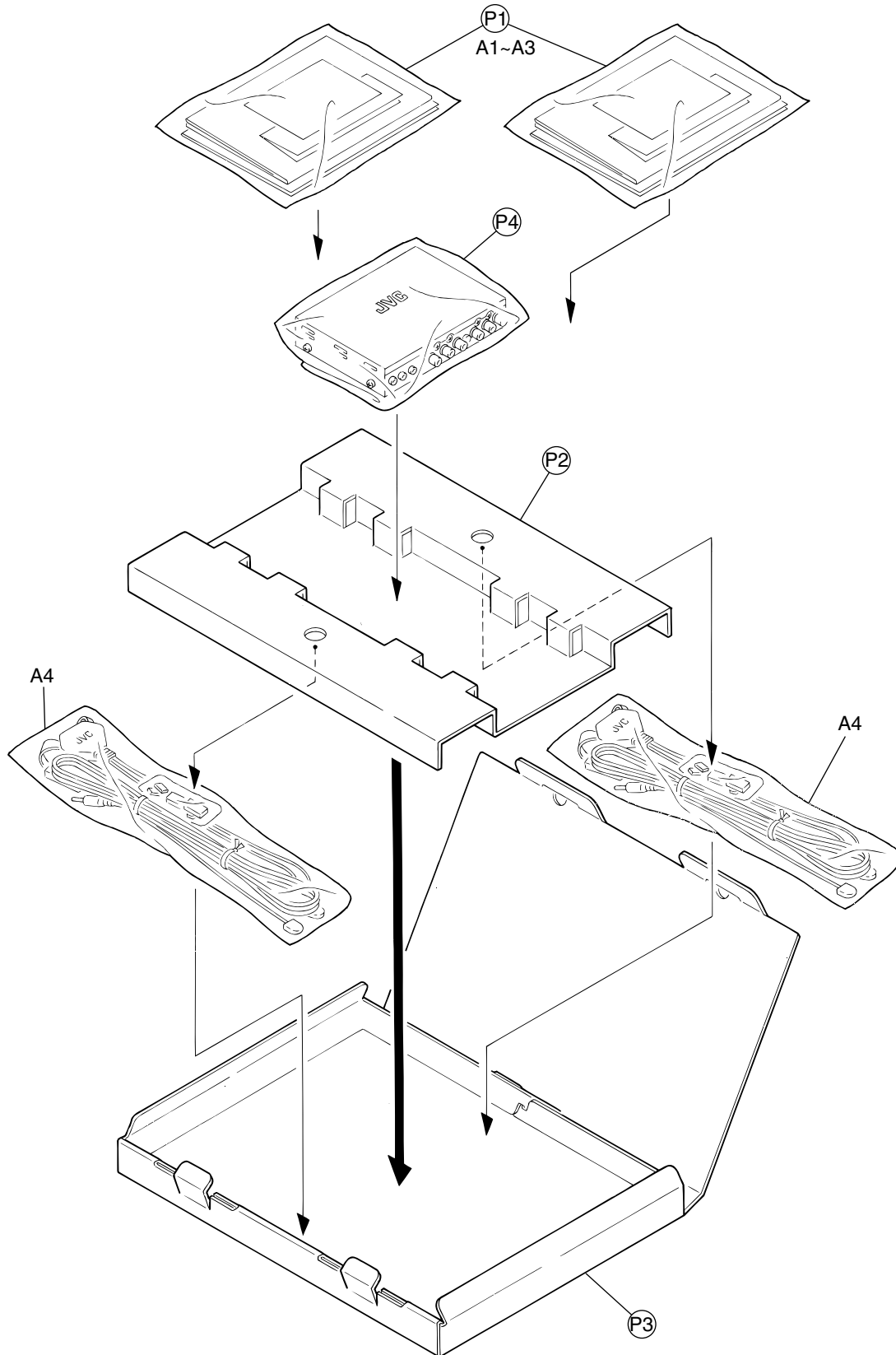
Packing materials and accessories parts list

Block No.

M	3	M	M
---	---	---	---

Block No.

M	5	M	M
---	---	---	---



■ Parts list (Packing)

Block No. M3MM

△	Item	Parts number	Parts name	Q'ty	Description	Area
	P 1	3172094B01	POLY BAG	2	FOR INST	
	P 2	3061971B01-0	INNER PAD	1		
	P 3	3061972B01-0	CARTON	1		
	P 4	3172094B01	POLY BAG	1	FOR SET	

■ Parts list (Accessories)

Block No. M5MM

△	Item	Parts number	Parts name	Q'ty	Description	Area
	A 1	3351398B01-0	INSTRUCTIONS	1	ENG, GER, FRE, DUT	
		3351399B01-0	INSTRUCTIONS	1	SPA, ITA, SWE, FIN	
	A 2	3351400B01-0	INSTALLATION	1	ENG, GER, FRE	
		3351401B01-0	INSTALLATION	1	DUT, SPA, ITA	
		3351402B01-0	INSTALLATION	1	SWE, FIN	
	A 3	3354167B01-A	WARRANTY CARD	1		
	A 4	5609028003	ANTENNA ASS'Y(JVC)	2		